

# Solenoid valve

Types EVR 2 – EVR 22 (Version 2)



032R9602

032R9602



**Refrigerants**

R22/R407C, R134a, R404A/R507, R410A, R407A, R32, R290, R600, R600a, R1234yf, R1234ze, R404A, R407F, R407H, R125, R152A, R417A, R448A, R449A, R450A, R452A, R452B, R454B, and R513A.  
For complete list of approved refrigerants, visit <https://store.danfoss.com> and search for individual code numbers, where refrigerants are listed as part of technical data.

**Note**

Pick up valves carefully from package.

**Filter**

Filter drier is always recommended in customer system.



**Special note for R32, R152A, R290, R452B, R454B, R600, R600a, R1234yf, and R1234ze:**

The EVR 2 – EVR 22 with solder connections and without manual stem is validated in accordance to ATEX, ISO 5149, IEC 60335, and UL. Ignition risk is evaluated in accordance to ISO 5149, and IEC 60335.

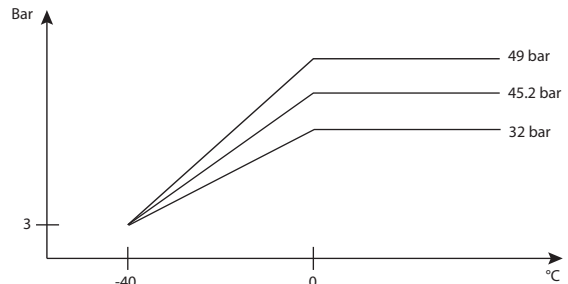
NOTE! Excluded from this EVR 22 with connections 1 3/8 inch / 35 mm related to PED requirements.

**Max. working pressure**

EVR solder and flare connections: 45.2 bar.  
EVR flange connections: 32 bar.  
EVR PED version: 49 bar.  
(Approved max. working pressure is marked on the armature tube)

**Note**

Avoid reverse flow in EVR (except EVRC) to avoid unstable function or long term damage of valve.



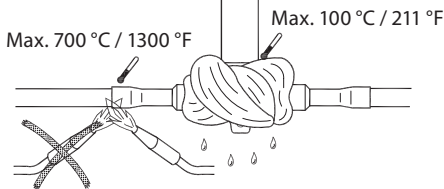
Max. working pressure in bar in relation to media temperature in °C.

**Media temperature:** -40 °C / -40 °F – 105 °C / 221 °F

**Max. opening diff. pressure (MOPD):** Coil dependent

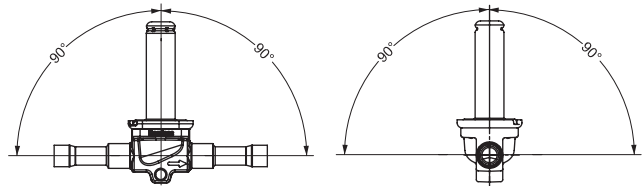
**Mounting**

**Soldering**

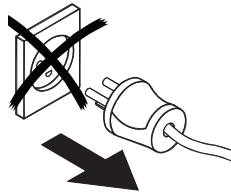


**Flare**

**Mounting angle**



Always disconnect power from the coil when dismantled from the valve. The coil may be damaged and there is risk of injuries and burns.

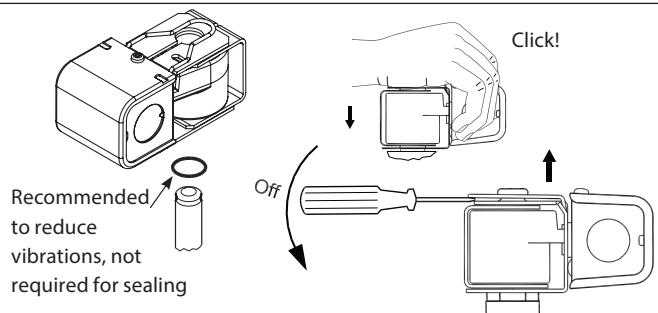
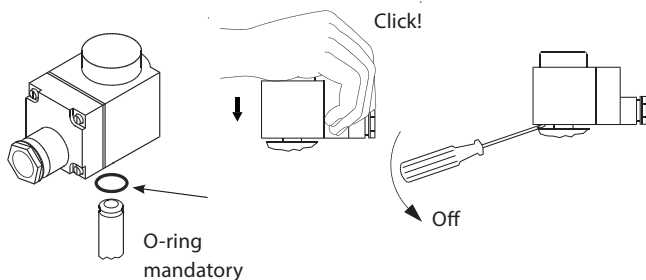


**ID Marking - example**

Valve identification and reference to UL listed coils

General-Purpose Valve consists of  
Body EVR 6 NC 032L1212  
AND COIL BJ OR BX  
TS: -40 °C/+105 °C (-40 °F/+221 °F)  
MOPD: 38 bar / 550psi  
PS (UL): 45.2 bar / SWP 655 psi  
PS (PED): 49 bar  
MADE IN DENMARK BR20 366E  
UL US LISTED 317R  
Danfoss A/S 6430 Nordborg Denmark

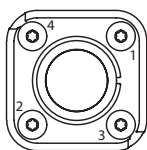
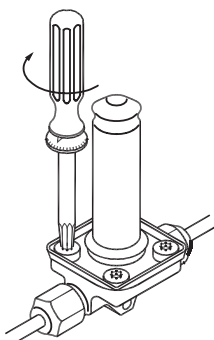
**Danfoss**  
MADE IN DENMARK  
Type BJ120CS  
Spare part no. 018F4110  
110-120V 60Hz 15W  
110V 50Hz 16W  
To be used with listed valve body  
EVR-EVRH-EVRC-EVRC-EV2xx series  
AKV-AKVA  
UL US LISTED  
See armature tube or label  
Coil print



The EVR 2 – EVR 22 with solder connections and without manual stem can be applied on systems with R32, R152A, R290, R452B, R454B, R600, R600a, R1234yf, and R1234ze as the working fluid. For countries where safety standards are not an indispensable part of the safety system Danfoss recommend the installer to get a third party approval of the system containing flammable refrigerant. Note, please follow specific selection criteria stated in the datasheet for these particular refrigerants.

## Disassembly and assembly of EVR version 2

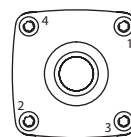
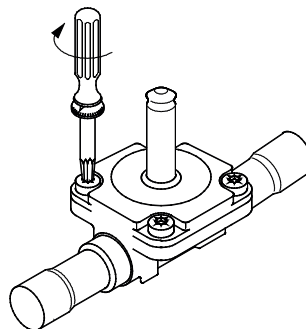
### Mounting / dismounting of top part EVR 2 – EVR 8



**Note!**  
Always use  
cross-tightening

Type	[Nm]	[kpm]	[ft-lbs]	Torx size
EVR 2, EVR 3, EVR 4, EVR 6, EVR 8	3.0	0.3	2.2	T15

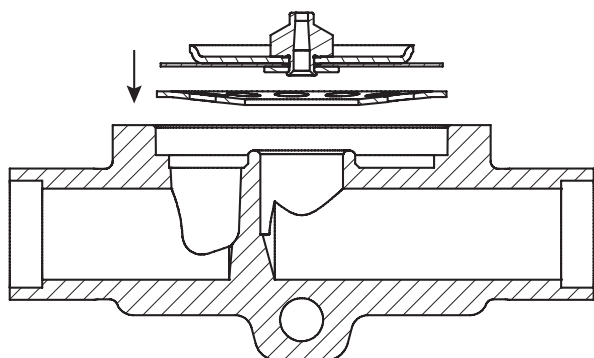
### Mounting / dismounting of top part EVR 10 – EVR 22



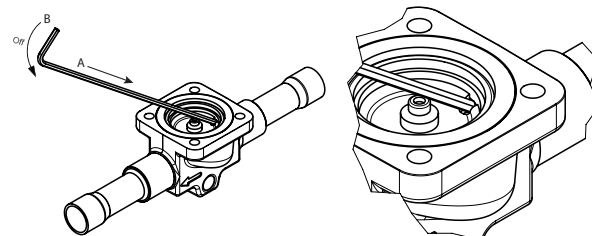
**Note!**  
Always use  
cross-tightening

Type	[Nm]	[kpm]	[ft-lbs]	Torx size
EVR 10, EVR 15, EVR 18	10	1	7.4	T30
EVR 20, EVR 22	30	3	22.1	T45

### Mounting of support washer

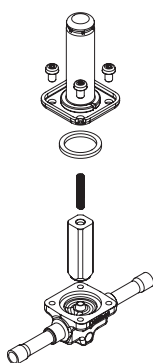


### Special for EVR 4 – EVR 8: Dismounting gasket and supporting ring



**Caution!**  
For EVR 2 – EVR 3, and EVR 10 – EVR 22, a screwdriver might be needed for removal of the gasket. Be careful not to scratch the gasket surface.

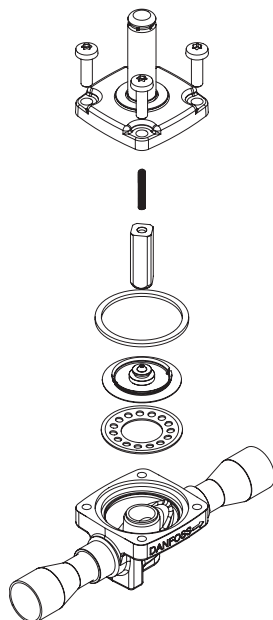
### EVR 2 – EVR 3 (NC)



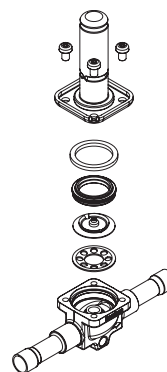
### EVR 4 – EVR 8 (NC)



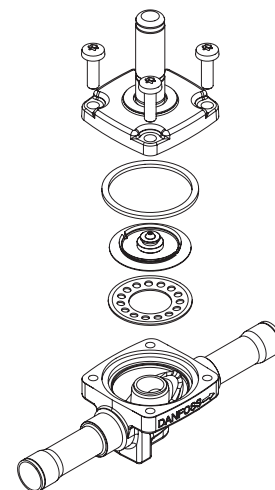
### EVR 10 – EVR 22 (NC)



### EVR 4 – EVR 8 (NO)



### EVR 10 – EVR 20 (NO)



### Manual operation for pressure testing and service related operation:

Only use the manual stem operation of the EVR NC valve during initial pressure testing of the refrigeration system or during service related manual operation. Remove the protective cap and rotate the manual stem clockwise approx. 6 cycles from fully closed to fully open position. After the manual operation is completed, ensure to rotate the manual stem counter-clockwise back to fully closed position and re-mount the protective cap before connecting the valve to automatic operation. MOPD for the manual operation function is 5 bar. Alternatively, all EVR NC and NO valves can be manually operated by removing the coil and force the valve open or closed by using a solenoid valve tester (permanent magnet).