

**Overview**

The BA/ADP adapter plate is designed to cover wall imperfections when installing wall sensors or thermostats. The BA/ADP is made in different sizes and colors to meet the need to cover different wall imperfections or holes as well as sensor size. Each size is made in three different colors (Warm White, Off White and Copla White) to match the sensor or thermostat for a professional looking installation. Each can be painted or wall papered in place if architecturally required.

**Product Identification****Specifications**

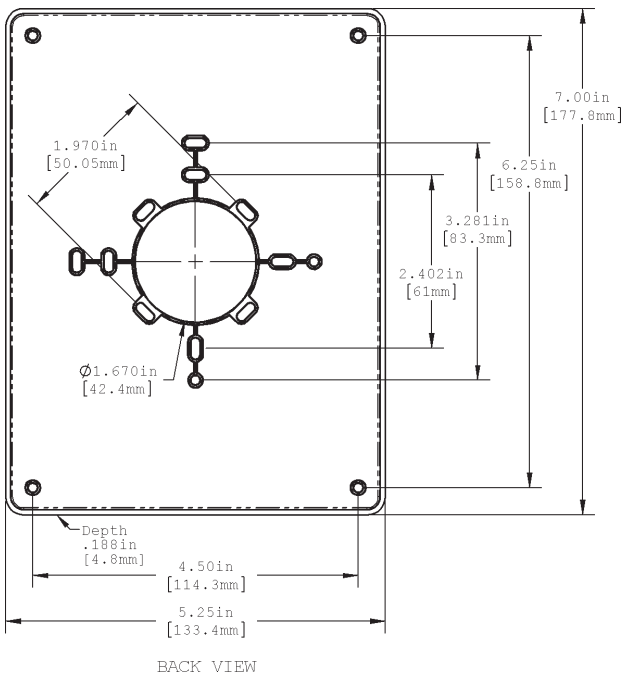
<b>Material:</b>	ABS plastic, Flame-retardant
<b>Agency:</b>	UL94V-0
<b>Application:</b>	Horizontal or Vertical
<b>Mounting:</b>	Dry wall, US back box or European EU back box
<b>Color:</b>	Rear Indents mark custom holes for drilling Warm White, (WMW), Delta, Bapi-Stat2, EU Box, Bapi-Box Off White, (OFW), Bapi-Stat Copla White, (CPW), CPW, Delta, Bapi-Stat2, (Copla White)
<b>Dimensions:</b>	3/16ths thick, See other dimensions above
<b>Holes:</b>	Center wire-way hole 1.67" diameter
<b>Surface:</b>	Textured face, Mold-tech spec M11040
<b>Paintable:</b>	Field applied, Latex recommended if needed

**Mounting Notes**

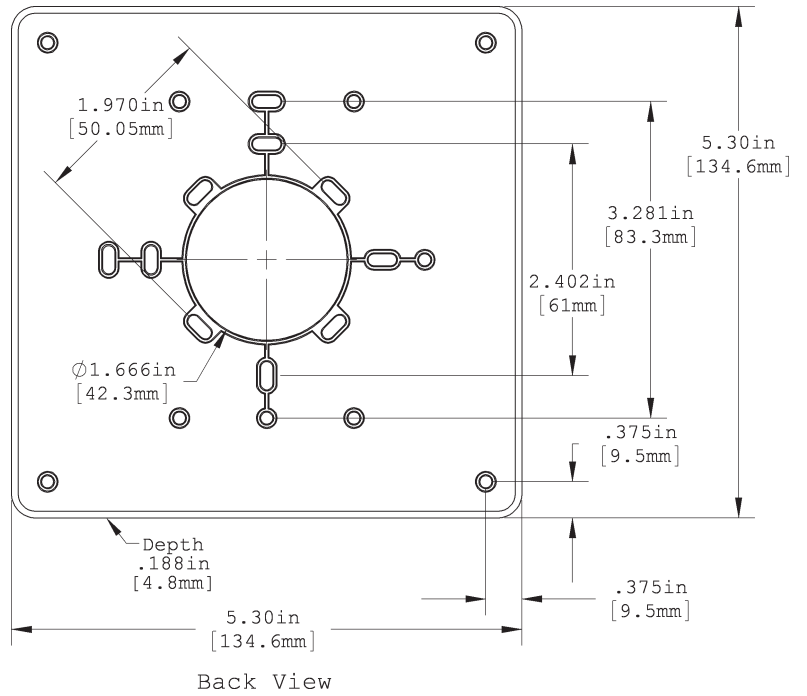
- The Adapter Plate can be mounted in a vertical or horizontal configuration on the application.
- When drilling pilot holes for the mounting screws, always drill from the backside of the plate. The pilot holes should be no larger than 9/64".
- Color matching screws will be included in every package for the unused drill holes. When these are used in the non-mounting holes, drill a pilot hole no larger than 3/32".
- All mounting holes are filled and must be drilled out for the application.

Specifications subject to change without notice.

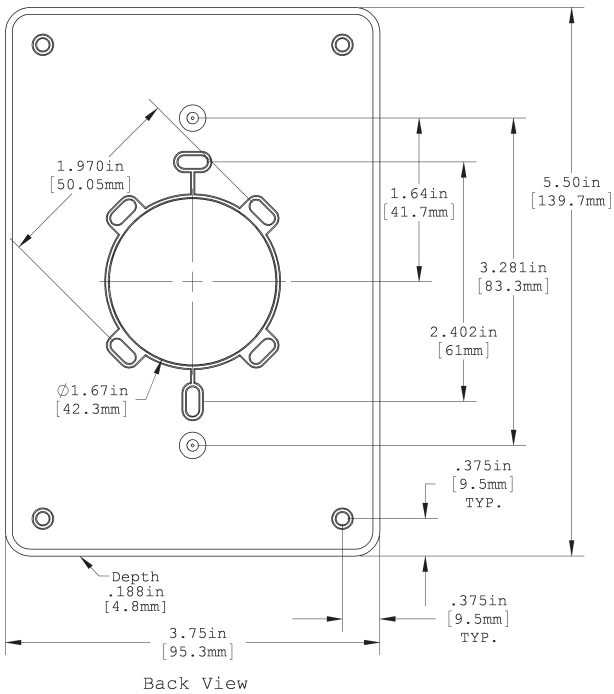
**Mounting Dimensions**



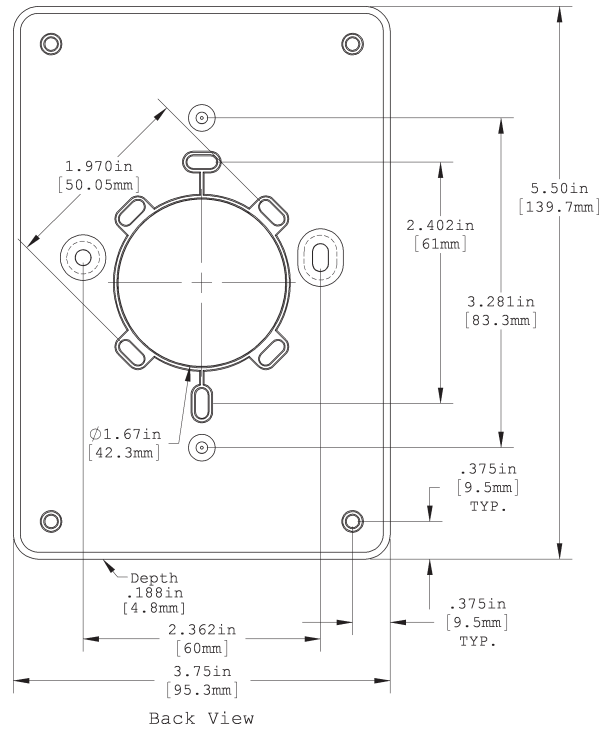
**Fig. 1: BA/ADP-525-7**



**Fig. 2: BA/ADP-53-53**



**Fig. 3: BA/ADP-37-55**



**Fig. 4: BA/ADP-37-55-UK**

Specifications subject to change without notice.