

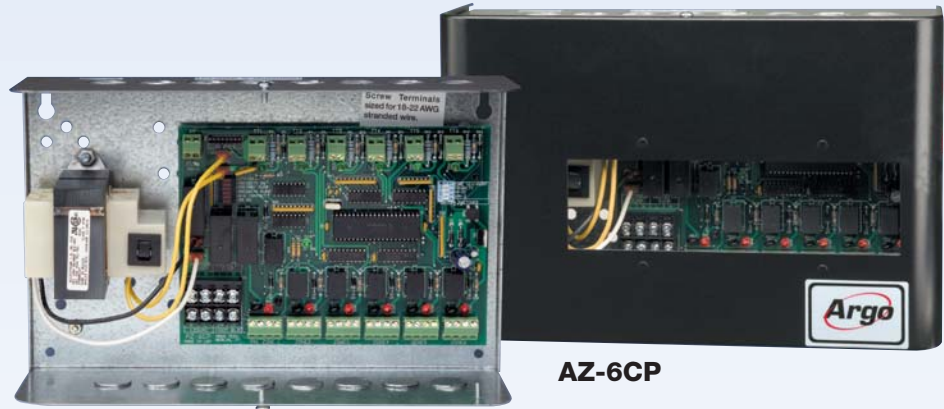


AZ-4CP/AZ-6CP Four and Six Zone Valve Controls with Built-in Circulator or Zone Valve Priority Option

Ideal

For Indirect Hot Water Applications

- Choice of circulator or zone valve for priority
- Optimum performance with circulator priority, increasing hot water flow up to 20%
- Option for tankless coil boiler applications



AZ-6CP

Application Flexibility

- Four (AZ-4CP) or six (AZ-6CP) zone valve controller with priority
- Switchable priority (ON/OFF)
- Priority zone is field configurable for use with either circulator or zone valve
- Controls three or four wire 24v zone valves

Installation and Service Features

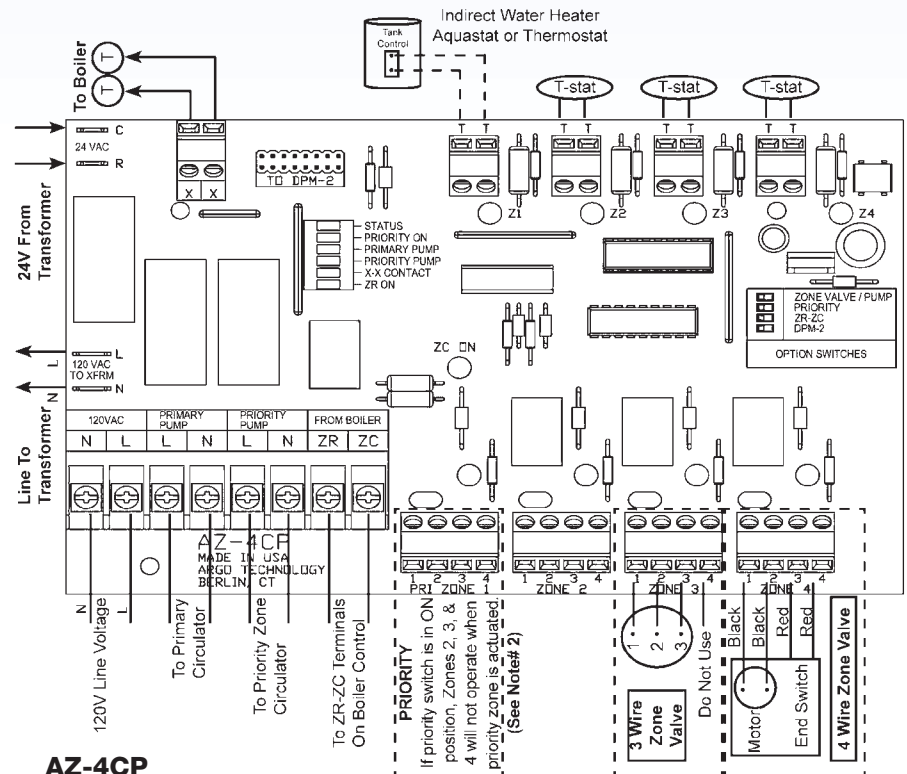
- Front window with clearly visible LED diagnostic lights showing zones calling and those satisfied
- Design is compatible with all types of thermostats, and ensures that relays energize with power robbing thermostats
- Auto reset fuse prevents service calls
- Expandable to 10 zones with Priority utilizing two AZ Controls
- Clearly marked terminal for easy and accurate installation
- Five year limited warranty, 100% factory tested

Electrical Specifications

MODEL NUMBER	ZONES	TRANSFORMER VOLTAGE	RELAY SWITCHING ACTION	MAX. TOTAL AMP DRAW
AZ-4CP	4	120V / 60Hz / 40Va	SPST	7.2A
AZ-6CP	6	120V / 60Hz / 75Va	SPST	7.2A

Wiring Diagram Notes:

1. The switching relay terminals are approved for use with copper wires only. Torque terminal block screws 6 to 7 inch pounds.
2. When using a priority zone circulator, a jumper is required between terminals 3 and 4 of Priority Zone 1. This jumper is not required when using a zone valve.



AZ-4CP

AZ-3/AZ-5 Three and Five Zone Valve Controls



Electrical Specifications

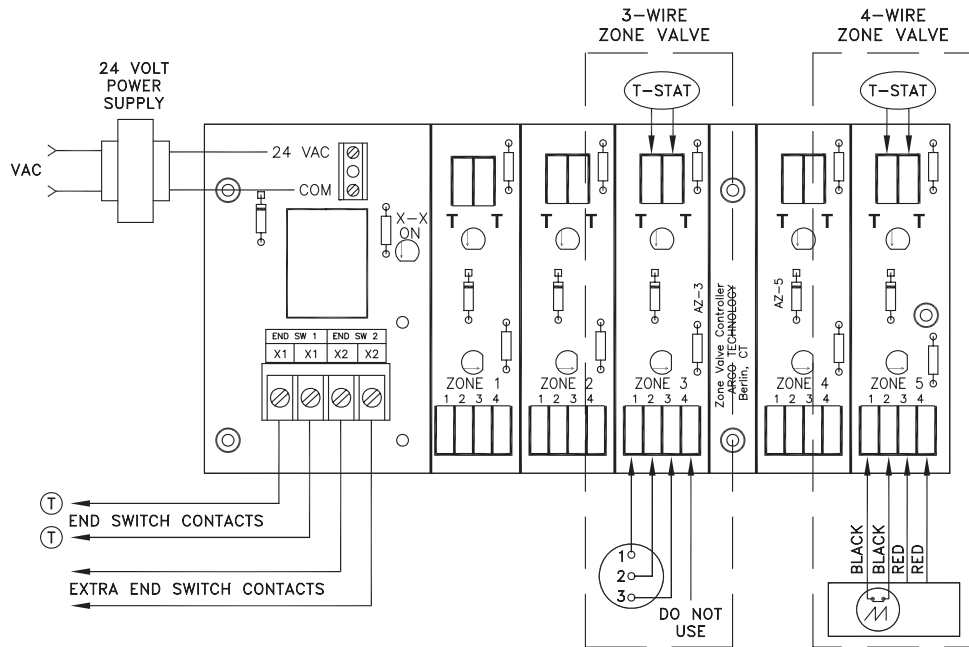
MODEL NUMBER	ZONES	TRANSFORMER VOLTAGE	END SWITCH CONTACT RATING
AZ-3	3	120V / 60Hz / 40Va	5A-1/8 HP @120VAC
AZ-5	5	120V / 60Hz / 75Va	5A-1/8 HP @120VAC

Application Flexibility

- Three (AZ-3) or five (AZ-5) zone valve controller
- Controls three or four wire 24v zone valves

Installation and Service Features

- LED diagnostic lights for easy troubleshooting
- Clearly marked terminal for easy and accurate installation
- 5 year limited warranty, 100% factory tested



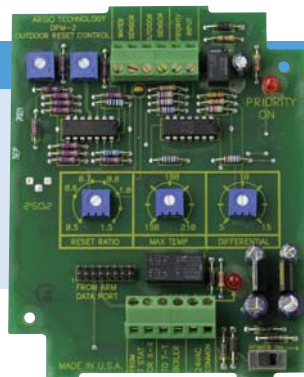
Wiring Diagram Note:

Install with jumper between terminals 3 and 4 when using zone valve without an end switch.

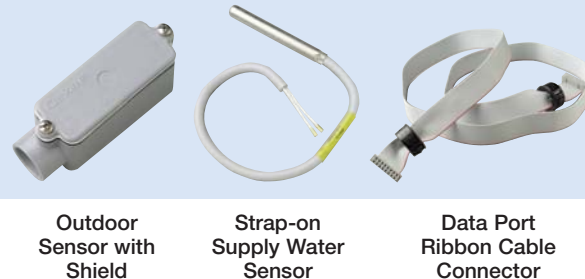
DPM2 Outdoor Reset Control

The DPM2 monitors outside temperature and adjusts boiler water temperature to match the outdoor demand – maximizing efficiency and reducing boiler usage.

- Simple plug 'n play data port ribbon connection when used in conjunction with any Argo Relay or Zone Valve Control
- Or can work with most competitors' relays
- Reduces heating costs an average of 10% to 15% a year (depending on climate).



STANDARD EQUIPMENT:



2201 Dwyer Avenue, Utica, New York 13501
 Phone: 315-797-1310 • Fax: 866-432-7329
 E-mail: info@ecrinternational.com
 www.argocontrols.com

USA Contractor Assistance: 800-325-5479

In Canada Contact:

6800 Base Line
 Wallaceburg, ON N8A 2K6
 Phone: 519-627-0791 Fax: 519-627-4719
 E-mail: info@ecrinternational.ca
 Web: www.ecrinternational.ca

