

CA Expansion Tanks

Taco CA Expansion tanks are full acceptance Captive Air expansion tanks that provide separation of air and water. Tough, durable and long lasting. The Taco CA is available in a variety of sizes and capacities to fit your application.



Features & benefits

Eliminate Pressure and Flow problems:

- Better comfort. Eliminate flow problems.
- Eliminate water logged expansion tanks
- Reduce expansion tank sizes up to 80%.
- Eliminate expansion tank corrosion problems.
- Reduce problems with burst bladders.

Dramatically Reduce Expansion Tank Sizes

Captive Air expansion tanks eliminate the many gallons of water required to compress atmospheric pressure air in an air cushion plain steel tank to the fill pressure. This allows a reduction in Captive Air expansion tank sizes of up to 80% compared to air cushion plain steel tanks.

For applications requiring NSF/ANSI 61-G Certification

Our CA Model and PAX model expansion tanks are available with an option for NSF/ANSI 61-G Certification. This can be requested by adding a "P" to the end of a CA or PAX type expansion tank model number. (Example: CA140-125P)

Increase Reliability and Reduce Maintenance Costs

- Full Acceptance bladders eliminate burst bladders
- Eliminate tank corrosion by isolating water from tank



CA Specifications:

- Shell — Fabricated Steel
Designed and Constructed per ASME Section VIII Div. 1
- Bladder — Field Removable

NSF/ANSI 61-G [P] Option,
Example: P/N PAX30-150P



Models certified to NSF 61-G are required to be installed on the cold water side of the hot water heater.

	Standard	Optional
Working Pressure:	125 PSIG (862 KPA)	150 PSIG (1034 KPA) 175 PSIG (1206 KPA) 250 PSIG (1723 KPA) 300 PSIG (2068 KPA)
Operating Temperature:	240°F (116C)	Consult Factory

Air Control Through Pressure Control

All hydronic systems operate under a variable amount of pressure. For closed systems the pressure varies primarily due to the expansion of water as it is heated or cooled. As the water is heated the pressure increases and as the water is cooled the pressure decreases.

The pressure in a closed system varies between a minimum and a maximum. The minimum is controlled by the fill valve and the initial fill pressure of the expansion tank. The maximum pressure is determined by the relief valve and the size of the expansion tank allowing the water to expand into the tank.

If the pressure is not maintained between these limits then the system will not perform properly. Not maintaining minimum pressures will create air problems.

Water contains a certain amount of entrained air. If this air comes out of solution at lower pressures, it can increase corrosion rates of metals within the system. In addition, air can form pockets at the top of pipes and coils of terminal units. These air pockets can actually restrict or block flow in a hydronic piping system. This is referred to as "air locking".

Figure 1 shows a solubility curve for air in water. Note that at a fixed temperature reducing the pressure reduces the amount of air that

can be dissolved or entrained. For example at 100°F and 80 PSIA water can contain 8% air by volume. At 100°F and 20 PSIA the percentage decreases to 2%.

The conclusion is that air is least soluble in water at lowest pressure. Air separators should therefore be located at these points. The lowest pressure in a system is typically at the expansion tank, since this is the point of no pressure change and the location of the fill valve. Therefore, the general rule of thumb in hydronic systems is that **"Air separators should be located at the expansion tank connection to the system."**

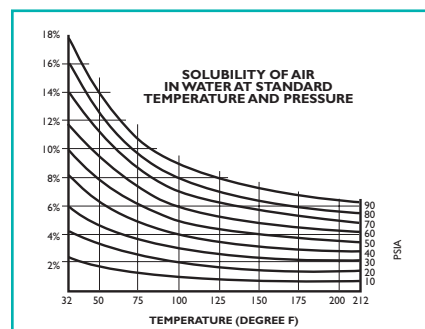


Figure 1

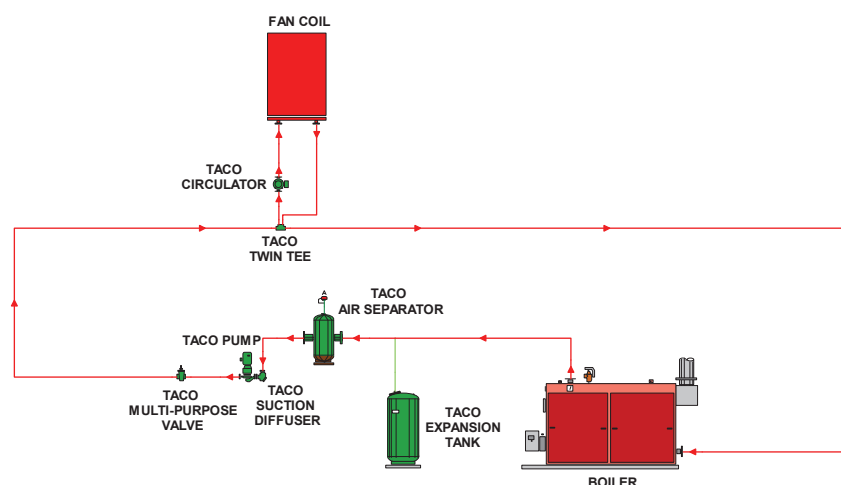


Figure 2 – Boiler and Expansion Tank/Air Separator Location

Applications

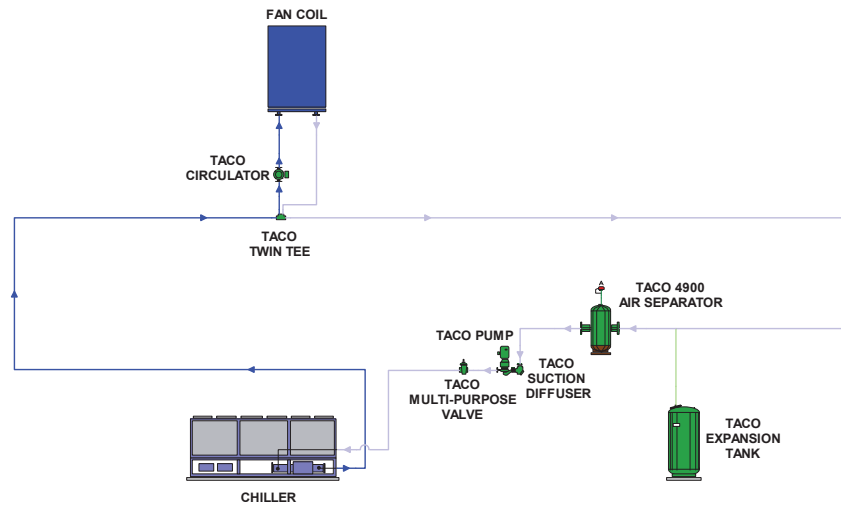


Figure 3 – Chiller and Expansion Tank/Air Separator Location

For multi-story buildings this is important. If the system pressure is not maintained above atmospheric at the top of the building then not only will air come out of solution, but air can actually be drawn into the system. This will result in loss of system performance with areas of low and no flow in this portion of the system.

For high rise buildings this is especially important. Frequently the expansion tank, air separator and fill valve are located at lower levels of the building. At upper levels air will come out of solution as the pressure decreases. This is similar to what divers experience as the “bends”. One solution, which designers and maintenance personnel learned over time, was to “over pump” the system through high pump heads. This increased the pressure at upper levels of the building and forced air back into the system.

For example, in a 50 story building, the static pressure at the bottom of the system could be 250 psi. The

solubility of air in water at this pressure and 40°F is 45%. At the top of the building, assuming, 10 psi positive pressure, the solubility is only 4%.

Obviously air will come out of solution at the top of the building with the expansion tank and air separator located at the bottom. By “over pumping”, to maintain 40 psi at the top of the building, the solubility of air goes back up to 10%.

For pumps located at upper levels of the building this is even more problematic. Pumps in these locations can actually be attempting to pump air. For centrifugal pumps the point at which their head falls off is in the range of 3% to 5% air volume in water.

Maintenance personnel and field engineers report many instance of poor pump performance due to unknown causes. A large portion of these mysterious problems have turned out to be secondary pumps located above expansion tanks. A better solution to “over pumping”

is to install additional air separators at upper levels of the building. A hydronic system can have multiple air separators, but should have only one expansion tank. These air separators should be high efficiency separators similar to Taco’s 4900. See Taco Catalog #400-1.4 for additional information.

Another solution is to locate the expansion tank and air separator at the top of the building where the pressure is the lowest and the air is least soluble in water. This will require the running of a dedicated line from the top of the building to the suction of the system circulating pump. This will also reduce the size of the expansion tank since the difference between the initial fill or minimum pressure and relief valve or maximum pressure can be larger.

Not maintaining maximum pressure can result in several problems, including burst diaphragm or bladders in partial expansion captive air tanks, weeping relief valves and failure of components

Causes of over system pressurization can be undersized expansion tanks, water logged air cushion plain steel expansion tanks and burst diaphragms or bladders in Captive Air tanks.

Pressure Control Through Air Control

Many systems designed in the past and some designed today, attempt to control air by means of an old style air cushion plain steel tank and air vents in the piping.

The air cushion plain steel tank uses a tank filled with water and an air cushion at the top of the tank for water to expand into as it is heated. The initial atmospheric air in the tank must be initially compressed to the fill pressure. This requires an initial charge or fill of water to accomplish this as shown in Figure 4.

The tank must now be sized for the initial fill volume plus the volume of any expanded water. This makes the tank much larger.

As air is released through air vents, the air cushion in the tank can be absorbed into the system fluid leaving the tank water logged and eliminating the system pressure control provided by the plain steel tank. When this occurs the expanded water volume must now seek a new outlet which is normally the relief valve or thru the rupture of one of the other system components.

A better solution is to use a Captive Air tank. In a Captive Air tank the air is held captive by the use of a bladder or diaphragm with the expanded water being held on one side of the diaphragm or bladder and the air on the other side.

This permanent separation allows the tank to be precharged on the air side of the bladder to the minimum operating or fill pressure. This eliminates the initial water volume needed to compress the air from atmospheric pressure to the system minimum (fill) pressure. This allows the bladder expansion tank to be charged to the fill pressure without the introduction of system fluid offering a sizable reduction in the required tank volume (see figure 5 A). The use of a Captive Air expansion tank often allows the reduction in required tank sizes up to 80% compared to air cushion or plain steel tanks.

During system operation any expanded water, in the diaphragm or bladder, compresses the precharge air to the maximum pressure. This compressed air cushion then pushes the fluid back into the system when it contracts.

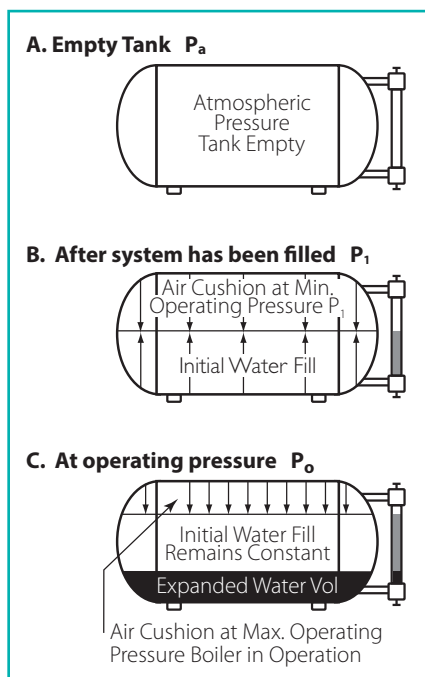


Figure 4
Plain steel pressurization process

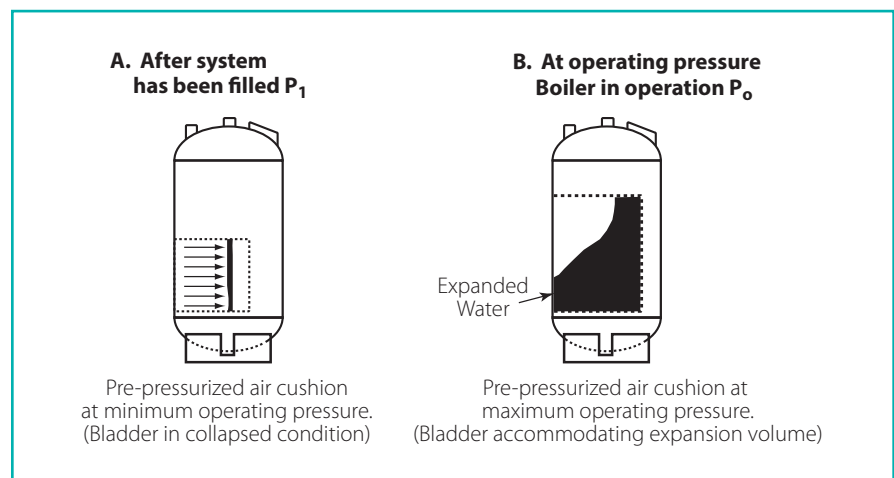


Figure 5 – Captive Air pressurization process

Applications

This can be seen in the following example problem.

System: Chilled water at 40°F
 System volume: 3000 gallons
 System piping : Steel

The ASHRAE formula for plain steel expansion tank sizing is:

$$V_t = V_s \frac{[(v_2/v_1) - 1] - 3\alpha\Delta t}{(P_a/P_1) - (P_a/P_2)}$$

Where

- v_t = volume of expansion tank, gal
- v_s = volume of water in system, gal
- t_1 = lower temperature, °F
- t_2 = higher temperature, °F
- P_a = atmospheric pressure, psia
- P_1 = pressure at lower temperature, psia
- P_2 = pressure at higher temperature, psia
- v_1 = specific volume of water at lower temperature, ft³/lb
- v_2 = specific volume of water at higher temperature, ft³/lb
- α = linear coefficient of thermal expansion, in./in. -°F
 = 6.5×10^{-6} in./in. -°F for steel
 = 9.5×10^{-6} in./in. -°F for copper
- $\Delta T = (t_2 - t_1)$, °F

Chilled water sizing example:

Sizing a plain steel tank for a chilled water system with a temperature range of 40°F to 100°F (ambient temperature).

System fill pressure of 10 psig,
 System volume of 3000 gallons,
 with steel piping system, System fill pressure of 65 psig and a 90 psig maximum operating pressure.

Sizing a plain steel expansion tank

$$V_t = V_s \frac{[(v_2/v_1) - 1] - 3\alpha\Delta t}{(P_a/P_1) - (P_a/P_2)}$$

For

- $V_s = 3000$ gallons
- $v_1 = .01602$ ft³/lb (40°F)
- $v_2 = .01613$ ft³/lb (100°F)
- $P_a = 14.7$ psia
- $P_1 = 65\text{psig} + 14.7\text{psia} = 79.7\text{psia}$
- $P_2 = 90\text{psig} + 14.7\text{psia} = 104.7\text{psia}$
- $\alpha = 6.5 \times 10^{-6}$ in./in.°F for steel
- $\Delta t = 60^\circ\text{F}$

$$V_t = 388.83 \text{ gallons}$$

Sizing of a Captive Air expansion tank

$$P_a = P_1$$

$$V_t = V_s \frac{[(v_2/v_1) - 1] - 3\alpha\Delta t}{1 - (P_a/P_2)}$$

For

- $V_s = 3000$ gallons
- $v_1 = .01602$ ft³/lb (40°F)
- $v_2 = .01613$ ft³/lb (100°F)
- $P_a = 79.7\text{psia}$ (due to tank precharge)
- $P_1 = 65\text{psig} + 14.7\text{psia} = 79.7\text{psia}$
- $P_2 = 90\text{psig} + 14.7\text{psia} = 104.7\text{psia}$
- $\alpha = 6.5 \times 10^{-6}$ in./in. F for steel
- $\Delta t = 60^\circ\text{F}$
- $V_t = 71.55$ gallons

This is a difference of greater than 81% reduction in required tank size

Another advantage of the permanent separation of air and water in a Captive Air tank is to eliminate the absorption of air back into the water that is found in air cushion or plain steel tanks.

Location of Expansion Tank

Location of the expansion tank in the system will also affect system performance.

The expansion tank is the point of no pressure change in the system. This can be seen from Boyle's Law:

$$P_1 V_1 / T_1 = P_2 V_2 / T_2$$

If the temperature (T_1 and T_2) and volume (V_1 and V_2) are constant with the pump on or off, then the pressure (P_1 and P_2) must also remain constant.

Therefore the point of connection of the expansion tank to the system is a point of no pressure change. Typically located at the suction side of the system pumps.

To prevent air from being drawn into the system the pressure in the system must be everywhere above atmospheric pressure.

The location of the expansion tank relative to the pump suction will then determine if the system is everywhere above atmospheric pressure. This can be seen in the following figures.

In Figure 6 the expansion tank is located on the discharge side of the pump.

The fill pressure is 25 psi. The pump differential pressure is 35 psi. Since the expansion tank is the point of no pressure change the pump differential pressure is subtractive from the fill pressure. The pump suction pressure is now -10 psi ($25 - 35$) or below atmospheric. This will cause air problems with air potentially being drawn into the system.

Figure 7 is the expansion tank located on the suction side of the pump.

The fill pressure, and pump suction pressure, is 25 psi. The pump differential pressure is 35 psi. Since the expansion tank is the point of no pressure change the pump differential pressure is additive to the fill pressure. The pump discharge pressure is now 60 psi ($25 + 35$) or above atmospheric. Everywhere in the system the pressure is above atmospheric.

Therefore, the general rule of thumb in hydronic systems is that **“Expansion tanks should be located on the suction side of pumps.”**

Multiple expansion tanks will cause pressure problems in systems. The location of the expansion tank in the system is the point of no pressure change. The pump head does

not affect the pressure in the tank. If there are multiple tanks in the system then the pump head will affect the pressure in the tank. The pump will be able to transfer water from one tank to the other depending on the pressure difference generated by the pump between the tanks.

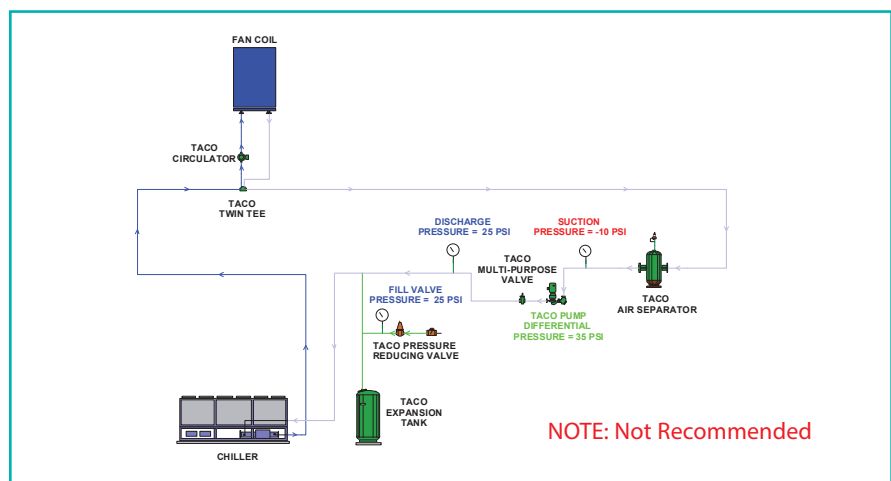


Figure 6 – Expansion tank located on discharge of pump

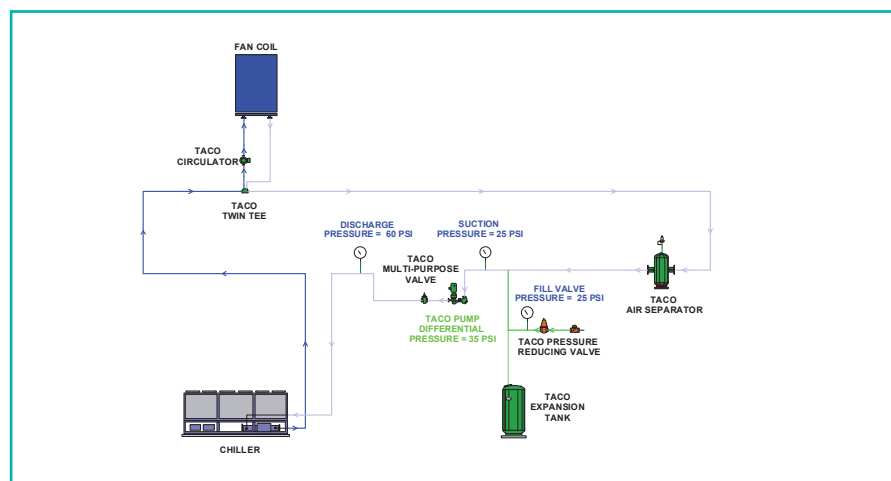


Figure 7 – Expansion tank located on suction side of pump

Applications

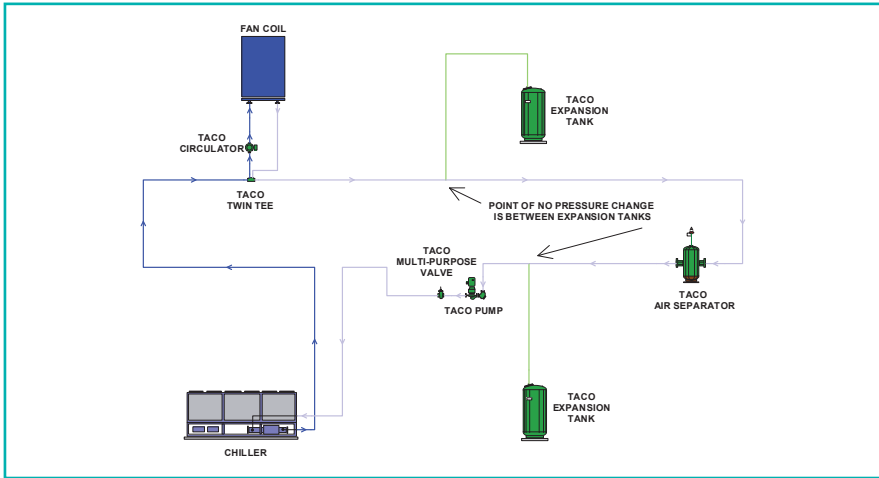


Figure 8 – Multiple expansion tanks in system

Figure 8 is a system with two expansion tanks. The point of no pressure change will be somewhere between the two tanks.

Therefore, the general rule of thumb in hydronic systems is that “Multiple expansion tanks in a system is not recommended” since unstable pressure conditions will result.

Types of Expansion Tanks

Air Cushion Plain Steel Expansion Tank



Taco air cushion plain steel tanks are applied in commercial, institutional and industrial applications for the control of pressure in hydronic systems. The air cushion plain steel tank uses a tank filled with water and an air cushion at the top of the tank for water to expand into as it is heated.

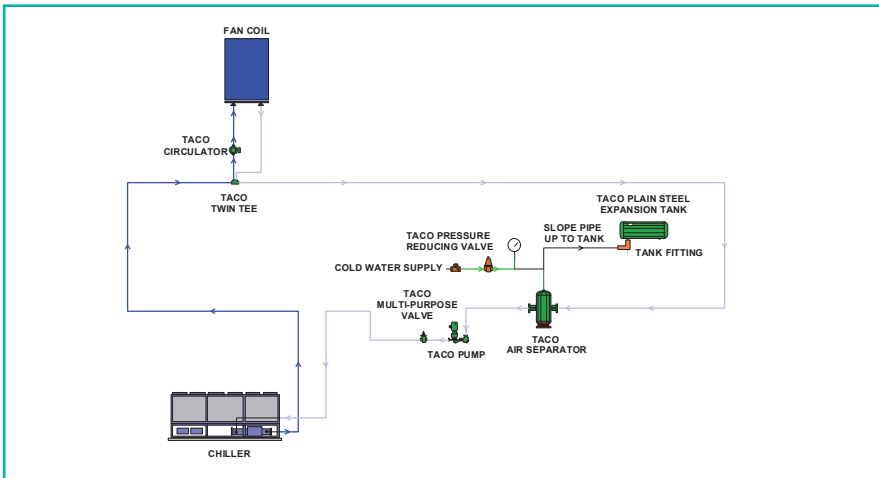


Figure 9 – Air cushion or plain steel expansion tank

In this tank it is desirable to direct the separated air from the air separator to the space above the water level in the expansion tank (Figure 9). The air from the air separator is piped to the expansion tank through a special tank fitting.

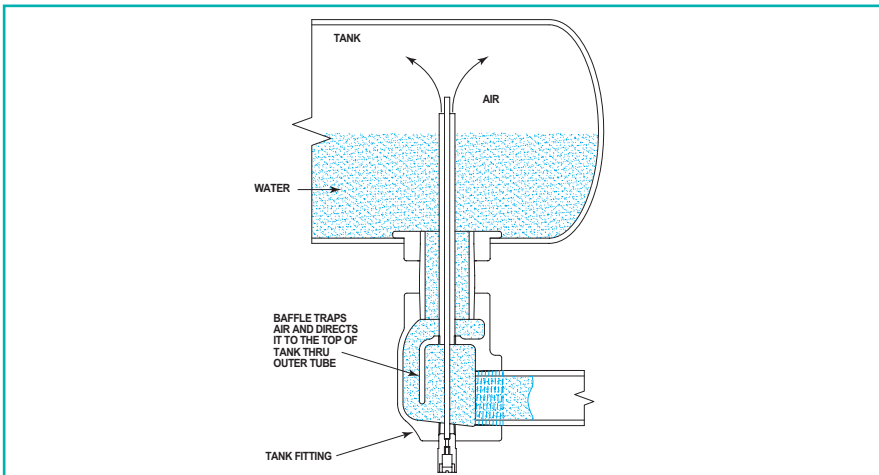


Figure 10 – Expansion tank air fitting

This fitting directs the air to the top portion of the tank, and discourages air from migrating back into the system (Figure 10), when the system cools. Note that since

Applications

the air is “recycled” to provide a cushion in the expansion tank, this system is called an “Air Control” system. As noted previously the air cushion in the tank can be depleted due to absorption of air into the water. It can also be depleted by losing air through air vents in the piping. Care must also be taken to insure that piping between the air separator and the plain steel expansion tank is pitched at least 3 degrees (Figure 9) to facilitate the migration of captured air back into the expansion vessel. Systems with plain steel expansion tanks must not have automatic air vents installed as this will lead to the loss of the expansion tank air cushion. If air is lost in the tank then the tank will become water logged. With a water-logged expansion tank, the expanded water must now seek a new outlet which can be the relief valve on one of the major components.

As noted previously the tank must be sized for the expansion of the water in the system plus the initial charge of water to compress atmospheric air in the tank to the fill pressure. This makes the tank much larger. The tank is also subject to corrosion with the presence of air and oxygen in the tank.

Applications

- Smaller systems
- Lower cost
- Ceiling mounted to save floor space

Partial Acceptance Captive Air Diaphragm Expansion Tank

Taco CX partial acceptance Captive Air diaphragm expansion tanks are applied in commercial, institutional and industrial applications for the control of pressure in hydronic systems. Diaphragm tanks use a diaphragm to permanently separate the air and water.



In a diaphragm tank the air is held captive by the use of a diaphragm with the expanded water being held on one side of the diaphragm and air on the other. This permanent separation allows the tank to be precharged on the air side to the minimum operating or fill pressure. This eliminates many gallons of water to compress atmospheric pressure air in an air cushion or plain steel tank to the fill pressure. This allows the reduction in Captive Air expansion tank sizes of up to 80% compared to air cushion or plain steel tanks.

In a diaphragm tank the diaphragm is attached to the tank wall and cannot move inside the tank. As a result the tank has a limited acceptance volume. In addition, there is some water in contact with the tank wall providing an opportunity for corrosion.

Applications

- Smaller systems
- Lower cost

Partial Acceptance Captive Air Bladder Expansion Tank

Taco CBX partial acceptance bladder Captive Air expansion tanks are applied in commercial, institutional and industrial applications for the control of pressure in hydronic systems. CBX bladder tanks use a field replaceable bladder to permanently separate the air and water.



This permanent separation allows the tank to be precharged on the air side to the minimum operating or fill pressure. This eliminates many gallons of water to compress atmospheric pressure air in an air cushion or plain steel tank to the fill pressure. This allows the reduction in Captive Air expansion tank sizes of up to 80% compared to air cushion or plain steel tanks.

In a bladder tank the bladder is not attached to the tank wall like a diaphragm tank. Rather it is suspended inside the tank very much like a balloon. Expanded water flows into the inside of the bladder. Air is on the outside of the bladder between the bladder and the tank. As a result no water is in contact with the tank wall minimizing corrosion. In a partial acceptance bladder tank the bladder is of limited acceptance volume and does not stretch. As a result, if there is an overpressure condition in the system the bladder will burst, again, very much like a balloon.

Applications

- Larger systems
- Lower cost

Applications



Full Acceptance Captive Air Bladder Expansion Tank

Taco CA full acceptance bladder Captive Air expansion tanks are applied in commercial, institutional and industrial applications for the control of pressure in hydronic systems. CA tanks use a field replaceable bladder to permanently separate the air and water.



This permanent separation allows

the tank to be precharged on the air side to the minimum operating or fill pressure. This eliminates many gallons of water to compress atmospheric pressure air in an air cushion or plain steel tank to the fill pressure. This allows the reduction in Captive Air expansion tank sizes of up to 80% compared to air cushion or plain steel tanks.

In a bladder tank the bladder is not attached to the tank wall like a diaphragm tank. Rather it is suspended inside the tank very much like a balloon. Expanded water flows into the inside of the bladder. Air is on the outside of the bladder between the bladder and the tank. As a result no water

is in contact with the tank wall minimizing corrosion. In a full acceptance bladder tank the bladder is of full acceptance volume and can expand to the full volume of the tank. As a result, the bladder will not burst if the system experiences an overpressure condition.

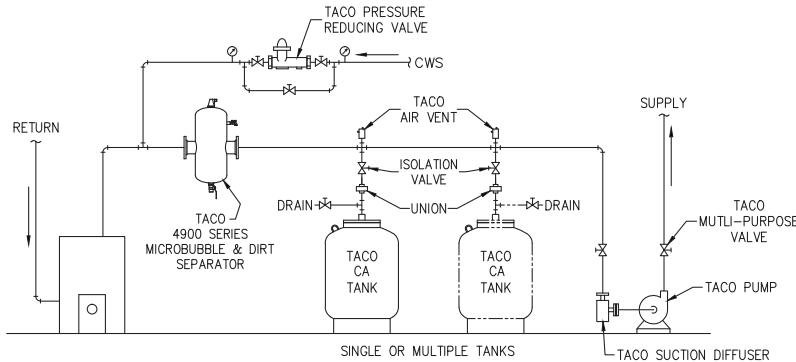
Applications

- Larger systems
- Systems where reliability and lower maintenance costs are important

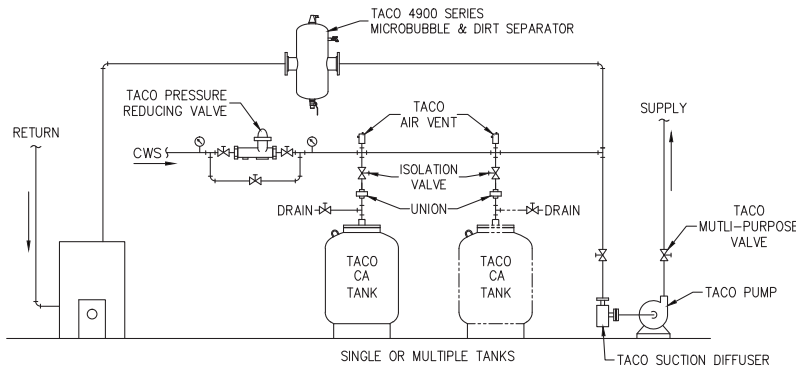
"P" option available for applications requiring NSF/ANSI 61-G certification



RECOMMENDED INSTALLATION FOR HEATING SYSTEM OR CHILLED WATER APPLICATIONS



RECOMMENDED INSTALLATION FOR NSF/ANSI 61-G APPLICATIONS



EXAMPLE 1

Problem:

Select a full acceptance bladder style expansion tank for a chilled water installation. The mechanical room and expansion tank are located on the lower level. Reliability and maintenance costs are a consideration. Steel system piping.

Conditions:

System Volume = 10,000 gallons
 Minimum temperature = 40°F
 Maximum temperature = 100°F
 Building height = 100 ft.
 Relief valve (chiller) = 90psig

Sizing of a Captive Air expansion tank

$$P_a = P_1$$

$$V_t = V_s \frac{[(v_2/v_1) - 1] - 3\alpha\Delta t}{1 - (P_a/P_2)}$$

$$v_1 = .01602 \text{ ft}^3/\text{lb} \text{ (40°F)}$$

$$v_2 = .01613 \text{ ft}^3/\text{lb} \text{ (100°F)}$$

$$\alpha = 6.5 \times 10^{-6} \text{ in/in } ^\circ\text{F} \text{ for steel}$$

$$\Delta t = 60^\circ\text{F}$$

$$P_1 = 100 \text{ ft} * .434 \text{ psi/ft} + 5 \text{ psig}$$

(for positive pressure at top of building) + 14.7 psia

$$= 48.4 \text{ psia}$$

$$P_2 = 90 \text{ psig} + 14.7 \text{ psia} = 104.7 \text{ psia}$$

Calculation of Net system expansion —

Net System Expansion = $V_s \{[(v_2/v_1) - 1] - 3\alpha\Delta t\}$

$$= 3000 \{[(.01613/.01602) - 1] - 3(6.5 \times 10^{-6}) 60\}$$

$$= 3000 \{0.005696\}$$

$$= 17.09 \text{ gallons}$$

Calculate required tank volume –

$$V_t = V_s \frac{[(v_2/v_1) - 1] - 3\alpha\Delta t}{1 - (P_a/P_2)}$$

$$V_t = 3000 \{[(.01613/.01602) - 1] - 3(6.5 \times 10^{-6}) 60\} / (1 - 48.4/104.7)$$

$$= 31.78 \text{ gallons}$$

For a system where reliability and maintenance are important select tank with full acceptance. Captive Air bladder tank model CA140. The bladder on this tank is unaffected by overpressure conditions in the system and is more reliable. Acceptance volume of the tank is 37 gallons and the volume of the tank is 37 gallons.

Selection Procedure

EXAMPLE 2

Problem:

Select an expansion tank for a heating water installation. The mechanical room and expansion tank are located on the roof. First cost is a major consideration. System piping copper.

Conditions:

System volume 1,000 gallons.
Minimum temperature = 40 F
Maximum temperature = 240 F
Building height = 50 ft
Relief Valve at boiler = 50 psig

Sizing of a Captive Air expansion tank

$$P_a = P_1$$

$$V_t = V_s \frac{[(v_2/v_1) - 1] - 3\alpha\Delta t}{1 - (P_a/P_2)}$$

$$v_1 = .01602 \text{ ft}^3/\text{lb} \text{ (40}^\circ\text{F)}$$

$$v_2 = .01692 \text{ ft}^3/\text{lb} \text{ (240}^\circ\text{F)}$$

$$\alpha = 9.5 \times 10^{-6} \text{ in/in F for copper piping}$$

$$\Delta t = 200 \text{ F}$$

Determine minimum pressure –

Minimum pressure equals static pressure plus 5 psi positive pressure at top of the building (assume 10 ft of static pressure).

$$P_1$$

$$= 10 \text{ ft} \times .434 \text{ psi/ft} + 5 \text{ psi}$$

(positive pressure) + 14.7 psia

$$= 24.04 \text{ psi}$$

Maximum pressure equal the relief valve setting

$$P_2 = 50 \text{ psig} + 14.7 \text{ psia}$$
$$= 64.7 \text{ psia}$$

Calculation of Net system expansion –

Net System Expansion

$$= V_s \{[(v_2/v_1) - 1] - 3\alpha\Delta t\}$$

$$= 1000 \{[(.01692/.01602) - 1] - 3(9.5 \times 10^{-6}) 200\}$$

$$= 1000 \{.05047\}$$

$$= 50.48 \text{ gallons}$$

Calculate required tank volume –

$$V_t = V_s \frac{[(v_2/v_1) - 1] - 3\alpha\Delta t}{1 - (P_a/P_2)}$$

$$V_t = 1000 \{[(.01692/.01602) - 1] - 3(9.5 \times 10^{-6}) 200\} / (1 - 24.04/64.7)$$

$$= 80.32 \text{ gallons}$$

Because first cost is a major consideration select a partial acceptance Captive Air bladder tank model CBX425. This tank is lower first cost than a full acceptance Captive Air tank. However, it is subject to a burst bladder under over pressure conditions. Acceptance volume of the tank is 61 gallons. The volume of the tank is 112 gallons.



Submittal Data
#401-083
#401-083P

Product Data

Effective December 1, 2014

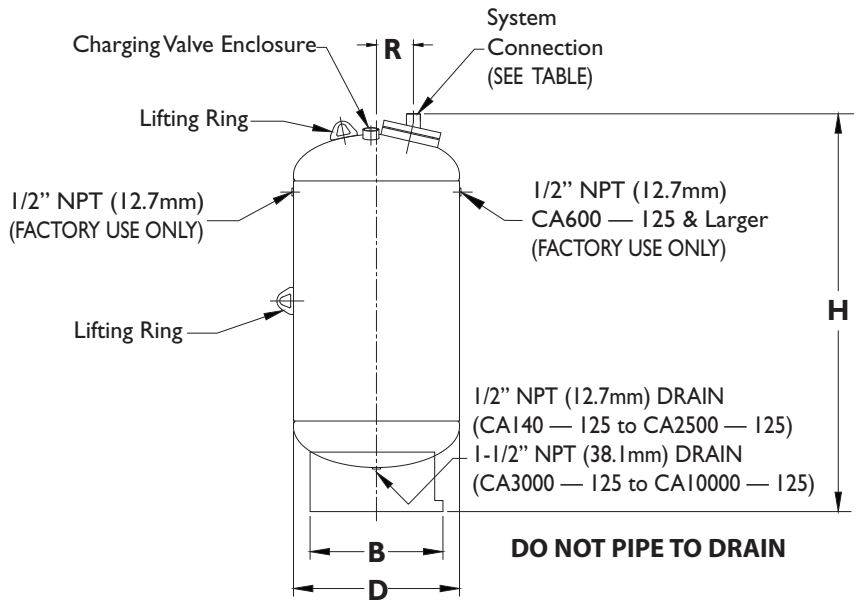
MODEL NUMBER	TANK VOLUME		H HEIGHT		B DIAMETER		D DIAMETER		R RADIUS		SHIPPING WEIGHT		SYSTEM CONNECTION SIZE
	GAL.	LIT.	INCH	MM	INCH	MM	INCH	MM	INCH	MM	LBS.	Kg	
CA90-125	23	90	29-1/8	740	16	406	20	508	4-1/4	108	120	55	1" NPT (25.4mm)
CA140-125	37	140	40-1/8	1019	16	406	20	508	4-1/2	114	195	88	1" NPT (25.4mm)
CA215-125	57	215	58-7/8	1495	16	406	20	508	4-1/2	114	290	132	1" NPT (25.4mm)
CA300-125	79	300	57-3/4	1467	20	508	24	610	5	127	320	145	1-1/2" NPT (38.1mm)
CA450-125	119	450	77-3/8	1965	20	508	24	610	5	127	400	181	1-1/2" NPT (38.1mm)
CA500-125	132	500	85-3/4	2178	20	508	24	610	5	127	420	191	1-1/2" NPT (38.1mm)
CA600-125	158	600	71-7/8	1826	24	610	30	762	6-1/4	159	460	209	1-1/2" NPT (38.1mm)
CA700-125	185	700	80-5/8	2048	24	610	30	762	6-1/4	159	525	238	1-1/2" NPT (38.1mm)
CA800-125	211	800	89-7/8	2283	24	610	30	762	6-1/4	159	590	268	1-1/2" NPT (38.1mm)
CA900-125	238	900	73-1/8	1857	30	762	36	914	7-7/16	189	690	313	1-1/2" NPT (38.1mm)
CA1000-125	264	1000	79	2007	30	762	36	914	7-7/16	189	790	358	1-1/2" NPT (38.1mm)
CA1100-125	291	1100	85-1/4	2165	30	762	36	914	7-7/16	189	865	392	1-1/2" NPT (38.1mm)
CA1200-125	317	1200	91	2311	30	762	36	914	7-7/16	189	940	426	1-1/2" NPT (38.1mm)
CA1300-125	344	1300	97	2464	30	762	36	914	7-7/16	189	980	445	1-1/2" NPT (38.1mm)
CA1400-125	370	1400	103	2616	30	762	36	914	7-7/16	189	1020	463	1-1/2" NPT (38.1mm)
CA1500-125	396	1500	73-3/8	1864	40	1016	48	1219	10-15/16	278	1200	544	1-1/2" NPT (38.1mm)
CA1600-125	422	1600	76-5/8	1946	40	1016	48	1219	10-15/16	278	1380	626	1-1/2" NPT (38.1mm)
CA1800-125	475	1800	83-1/2	2121	40	1016	48	1219	10-15/16	278	1515	687	1-1/2" NPT (38.1mm)
CA2000-125	528	2000	90-3/8	2296	40	1016	48	1219	10-15/16	278	1650	748	1-1/2" NPT (38.1mm)
CA2500-125	660	2500	107-1/8	2721	40	1016	48	1219	10-15/16	278	1838	834	1-1/2" NPT (38.1mm)
CA3000-125	792	3000	94-1/8	2391	44	1118	54	1372	11-7/16	291	2025	919	2" NPT (50.8mm)
CA4000-125	1056	4000	120-3/4	3067	44	1118	54	1372	11-7/16	291	2400	1089	2" NPT (50.8mm)
CA5000-125	1320	5000	150-1/4	3816	44	1118	54	1372	11-7/16	291	3100	1406	2" NPT (50.8mm)
CA7500-125	1980	7500	128-3/4	3270	62	1575	72	1829	11-1/2	292	3850	1746	3" NPT (76.2mm)
CA10000-125	2640	10000	158-1/4	4020	62	1575	72	1829	11-1/2	292	4500	2041	3" NPT (76.2mm)



NSF



Non-NSF



NSF NSF/ANSI 61-G [P] Option, Example: P/N PAX30-150P

Models certified to NSF 61-G are required to be installed on the cold water side of the hot water heater.

See Related Documents:
402-002 Instruction Sheet
402-013 Instruction Sheet, Replacement Bag
401-083 Submittal Data
401-083P Submittal Data, NSF

Mechanical Specifications

Part 1 GENERAL

1.1 SECTION INCLUDES

- A. Expansion tanks

1.2 RELATED SECTIONS

- A. Section - Hydronic Piping.

1.3 REFERENCES

- A. ASME (BPV VIII, 1) - Boiler and Pressure Vessel Code, Section VIII, Division 1 - Rules for Construction of Pressure Vessels; The American Society of Mechanical Engineers; 2006.

1.4 SUBMITTALS

- A. See Section 01300 - Administrative Requirements, for submittal procedures.
- B. Product Data:
Provide product data for manufactured products and assemblies required for this project. Include component sizes, rough-in requirements, service sizes, and finishes. Include product description, model and dimensions.

- C. Certificates: Inspection certificates for pressure vessels from authority having jurisdiction.
- D. Manufacturer's Installation Instructions: Indicate hanging and support methods, joining procedures.
- E. Project Record Documents: Record actual locations of flow controls.
- F. Maintenance Data: Include installation instructions, assembly views, lubrication instructions, and replacement parts list.

1.5 QUALITY ASSURANCE

- A. Manufacturer Qualifications: Company specializing in manufacturing the type of products specified in this section, with minimum five years of documented experience.

1.6 DELIVERY, STORAGE, AND HANDLING

- A. Accept equipment on site in shipping containers with labeling in place. Inspect for damage.
- B. Provide temporary end caps and closures on piping and fittings. Maintain in place until installation.
- C. Protect piping components from entry of foreign materials by temporary covers, completing sections of the work, and isolating parts of completed system.

1.7 MAINTENANCE SERVICE

- A. Contractor to furnish service and maintenance for one year from date of substantial completion.

1.8 EXTRA MATERIALS

- A. See Section 01400 - Project Requirements, for additional provisions.

Part 2 PRODUCTS

2.1 ASME Full Bladder TYPE EXPANSION TANKS

- A. Manufactures:
 - 1. Taco, Inc; Model CA _____: www.taco-hvac.com
 - 2. ITT Bell & Gossett
 - 3. Amtrol Inc
 - 4. Substitutions:
See Section 01600 - Product Requirements.
- B. Construction: Welded steel, designed, tested and stamped in accordance with ASME (BPV code sec VIII, div 1); supplied with National Board Form U-1, rated for working pressure of 150 psi , with flexible heavy duty butyl rubber bladder. Bladder shall be able to accept the full volume of the expansion tank and shall be removable and replaceable.
- C. Accessories: Pressure gage (field installed in adjacent piping by others) and air-charging fitting ; precharge to _____ psi.

- D. Automatic Cold Water Fill Assembly (field installed by others): Pressure reducing valve, reduced pressure double check back flow preventer, test cocks, strainer, vacuum breaker, and valved by-pass.
- E. Size:
 - 1. HW Tank Capacity:
_____,
_____ acceptance volume.
 - 2. CW Tank Capacity:
_____,
_____ acceptance volume.
- F. Hot Water Heating System:
 - 1. Select expansion tank pressure relief valve at _____ psi maximum.
 - 2. Set pressure reducing valve at _____ psi.
- G. Chilled Water System:
 - 1. Select expansion tank pressure relief valve at _____ psi maximum.
 - 2. Set pressure reducing valve at _____ psi.

Part 3 EXECUTION

3.1 INSTALLATION

- A. Install specialties in accordance with manufacturer’s instructions.
- B. Where large air quantities can accumulate, provide enlarged air collection standpipes.
- C. Provide manual air vents at system high points and as indicated.
- D. For automatic air vents in ceiling spaces or other concealed locations, provide vent tubing to nearest drain.
- E. Air separator and expansion tank to be installed on the suction side of the system pumps. Expansion tank to be tied into system piping in close proximity to air separator and system fill line.
- F. Provide valved drain and hose connection on strainer blow down connection.
- G. Provide relief valves on pressure tanks, low pressure side of reducing valves, heat exchangers, and expansion tanks.

Mechanical Specifications

- H. Select system relief valve capacity so that it is greater than make-up pressure reducing valve capacity. Select equipment relief valve capacity to exceed rating of connected equipment.
- I. Pipe relief valve outlet to nearest floor drain.
- J. Where one line vents several relief valves, make cross sectional area equal to sum of individual vent areas.
- K. Clean and flush glycol system before adding glycol solution. Refer to Section 15189.
- L. Feed glycol solution to system through make-up line with pressure regulator, venting system high points.
- M. Feed glycol solution to system through make-up line with pressure regulator, venting system high points. Set to fill at ___ psi.
- N. Feed glycol solution to system through make-up line with pressure regulator, venting system high points.
- O. Perform tests determining strength of glycol and water solution and submit written test results.



Taco quality through & through

Hydronic professionals everywhere trust Taco for the highest quality systems, components, technology, and support.

Visit taco-hvac.com for more information on CA Expansion Tanks, additional products, systems, software & training.

