

# SX9 Solar Therm

## Light-Powered Digital Thermometer

INDUSTRIAL THERMOMETERS



SX91403 shown

- ▶ Light Powered  
No Batteries Required
- ▶ 7" Case Size
- ▶ Large LCD °F/°C  
Switchable Display
- ▶ Min/Max Feature
- ▶ 1% or 1°F Accuracy
- ▶ Cast Aluminum Case
- ▶ Adjustable-Angle Stem

The Trerice **SX9 "Solar Therm"** is ideally suited for replacement of existing mercury-in-glass thermometers in environmentally conscious applications. It features a rugged cast aluminum case, easy to read LCD display and an adjustable-angle stem that is fully interchangeable with industrial liquid-in-glass thermometers. Also available is a bimetal type stem for applications where a digital thermometer is preferred over existing analog bimetals. The "Solar Therm" requires no external power and needs only 10 lux of illumination to operate. The unique Min/Max feature provides instant recall of minimum and maximum temperatures over a given period and is easily reset.

- Optional features available: Please consult the Options & Accessories Section for details.

#### Thermowell

- For applications where the process media may be corrosive or contained under pressure, the use of a thermowell is required to prevent damage to the thermometer and facilitate its removal from the process. (Refer to page 152)

### Specifications

<b>Model</b>	<b>Scale Size</b>
<b>SX9</b>	7" Adjustable Angle
<b>Case</b>	Cast Aluminum, Blue epoxy finish
<b>Stem</b>	Industrial, Bimetal or Air-Duct
<b>Connection</b>	Industrial: 1 1/4-18 UNEF-2A coupling nut  Bimetal: 304 Stainless steel 1/4" diameter  Air-Duct: Reversible mounting flange with 3 bolt holes
<b>Sensor</b>	Glass passivated thermistor
<b>Range</b>	-40 to 300° F (-40° to 150° C)
<b>Display</b>	9/16" LCD digits switchable between F/C. Push button min/max readings with reset
<b>Accuracy</b>	1% or 1° F, whichever is greater
<b>Resolution</b>	1/10°
<b>Update Interval</b>	10 seconds
<b>Lux Rating</b>	10 Lux (one foot candle)
<b>Ambient Operating Temperature</b>	0 to 140° F (-20° to 60° C)
<b>Ambient Temperature Error</b>	None
<b>Humidity</b>	Maximum: 95 RH, non condensing
<b>Approximate Shipping Weight</b>	1.5 lbs [0.68 kg]

### HOW TO ORDER

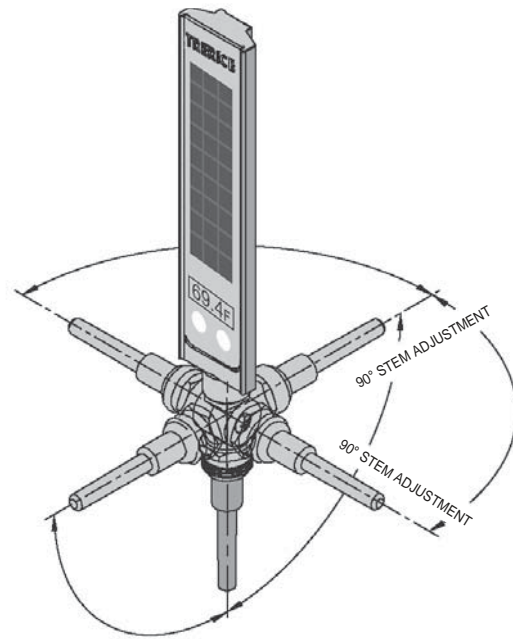
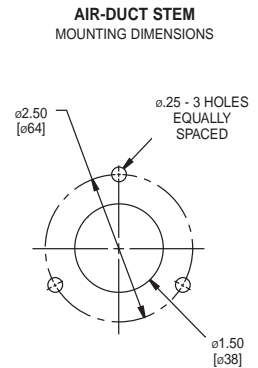
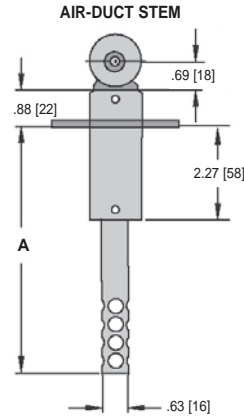
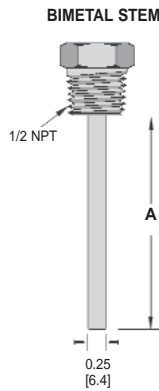
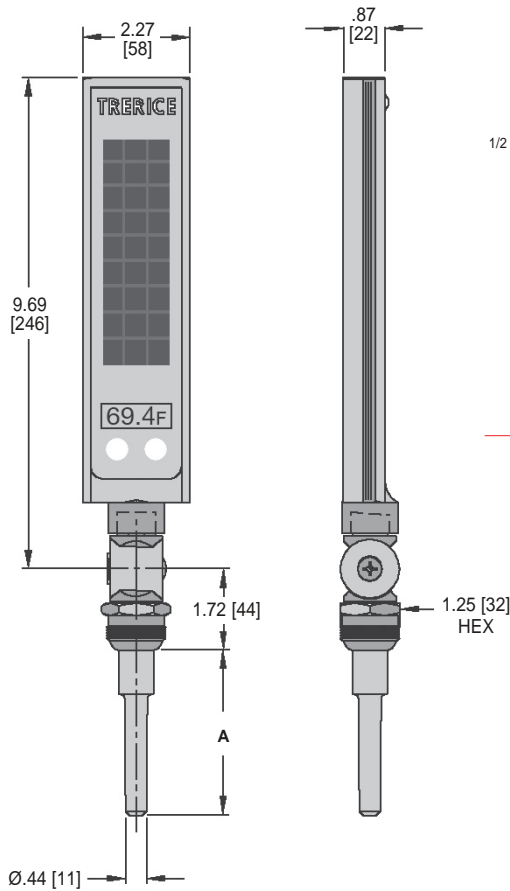
Sample Order Number: **SX9 1 403 05**

Model	Stem (Style & Material)	Stem (Length)	Specific Range
<b>SX9</b> 7" Adjustable	1 Industrial (Aluminum)	<b>403</b> 3 1/2" (standard)	<b>05</b> -40° to 300° F/C
		<b>406</b> 6" (standard)	
	5 Bimetal (304 SS)	<b>604</b> 4" Bimetal	
		<b>606</b> 6" Bimetal	
	9 Air-Duct (Aluminum)*	<b>006</b> 6" Air-Duct	
		<b>012</b> 12" Air-Duct	

\* Not for use with Thermowell

# SX9 Solar Therm

All dimensions are nominal.  
Dimensions in [ ] are in millimeters.



(A) Stem Length	Dimension
3 1/2" Industrial	3.50 [88.9]
6" Industrial	6.00 [152.4]
4" Bimetal	4.00 [101.6]
6" Bimetal	6.00 [152.4]
6" Air-Duct	6.00 [152.4]
12" Air-Duct	12.00 [304.8]

## Thermowells for SX9 Solar-Therm

for INDUSTRIAL STYLE Stems				for BIMETAL STYLE Stems			
Model	Stem Length	Insertion Length	Material	Model	Stem Length	Insertion Length	Model
3-4F2	3 1/2"	2 1/2"	Brass	76-4G2	4"	2 1/2"	Brass
3-4FA2	3 1/2"	1.7" with 1" lagging extension	Brass	76-4GA2	4"	2" with 1" lagging extension	Brass
3-4J2	6"	5"	Brass	76-4J2	6"	4 1/2"	Brass
3-4JD2	6"	2 1/2" with 2 1/2" lagging extension	Brass	76-4JC2	6"	2 1/2" with 2" lagging extension	Brass

INDUSTRIAL THERMOMETERS