



Model: TFH/Hi Limit

Antunes Controls model TFH is typically used in air make up equipment and it incorporates a temperature monitor, delay timer, and high limit controller into one compact design.

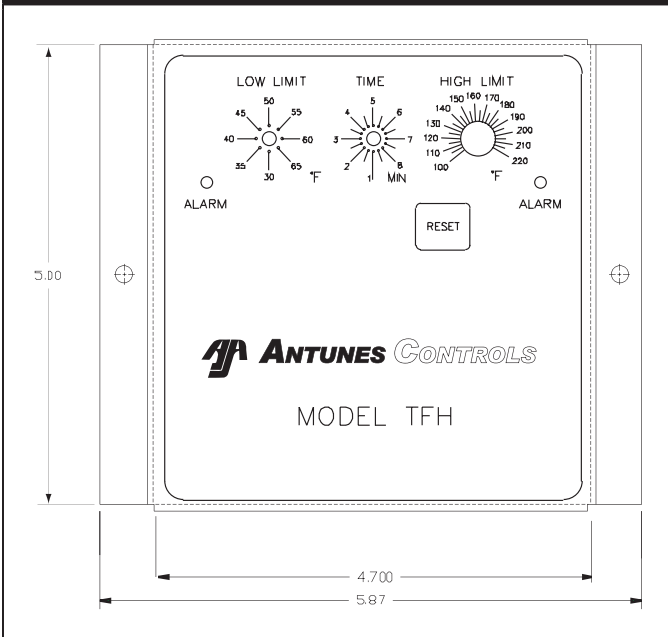
The low limit monitors the temperature to the desired set-point which is adjustable from 30-65°F. If the temperature is not obtained by the desired time setting, which is adjustable from 1-8.5 minutes the TFH will shut the system down.

The high limit setting will shut the system down if the set point temperature is exceeded.

Features:

- Low Limit
- Fail Safe Design
- High Limit with Manual Reset
- UL-353 & Applicable Parts of 991 Approval
- 3 Controls in 1 Compact Unit
- Electronic Control for Reliability
- Ease of Installation
- Offers Various Sensor Lengths
- Indicator Lamps for High or Low Limit

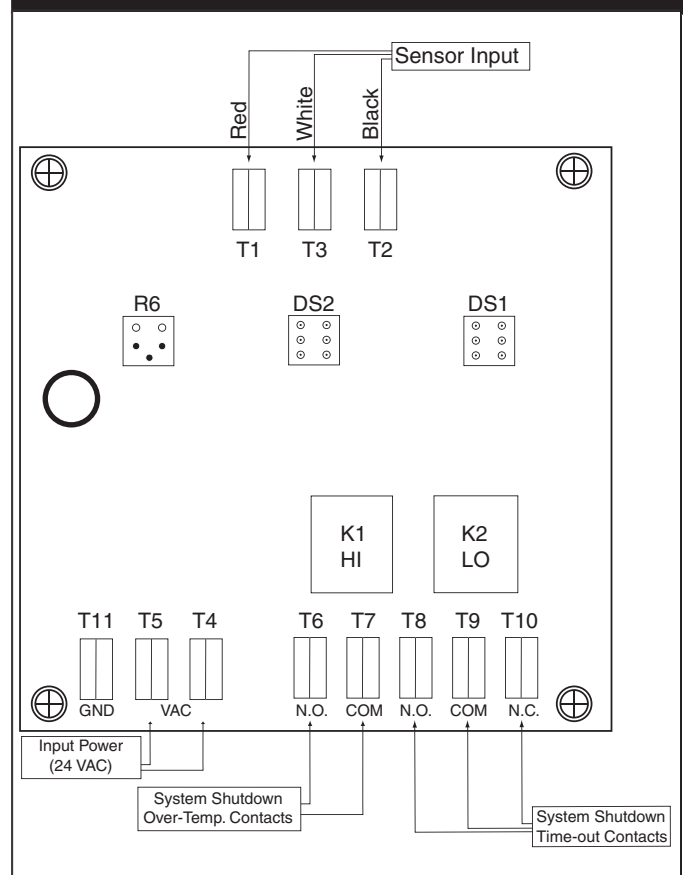
Dimensions:



Specifications:

- Sensor Type:** 100K Thermistor (Dual) - Length (15 ft.)
Other lengths available upon request.
- Accuracy:** +/-3°F of Set Point
- Power Input:** 24 Vac, 120 Vac
- Control Operation:** Low Limit - Closes on Rise
High Limit - Opens on Rise
- Output Ratings:** Low Limit - 8 Amp SPDT Relay
High Limit - 8 Amp SPST Relay
(Resistive Load)
- Adjustable Temperature Range:** Low Limit: 30° to +65°F
High Limit: 100° to +220°F
- Adjustable Time Delay Range:** 1- 8.5 Minutes
- Ambient Operating Temperature:** -30° to 140°F
(-35° to +60°C)
- Connections:** 1/4" Quick Connects,
6" Wire Leads (Optional)
- Package:** Aluminum "C" Bracket - 5.1"L x 5.9"W x 3.1"D
(shown) Full Enclosure w/conduit knockout (optional)

Panel Cut-out



Connections:

- Thermistor Input** - T1, T2 & T3 (100K ohm @25°C)
- Power Input** - T4 & T5 (24-120 VAC)
- Low Limit Relay** - T8 (N.O.), T9 (COM) & T10 (N.C.)
- High Limit Relay** - T6 (N.O.), T7(COM)

Limitation of Liability. If it is understood and agreed that seller's liability whether in contract, in tort, under any warranty, in negligence or otherwise, shall not exceed the return of the amount of the purchase price paid by purchaser and under no circumstances shall seller be liable for special, indirect or consequential damages. The price stated for the equipment is a consideration in limiting seller's liability. No action, regardless of form, arising out of the transactions may be brought by purchaser more than one year after the cause of action has accrued.