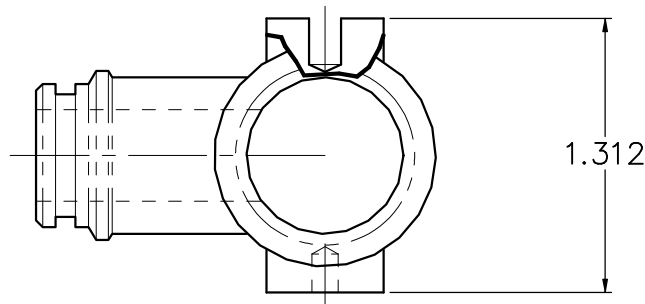
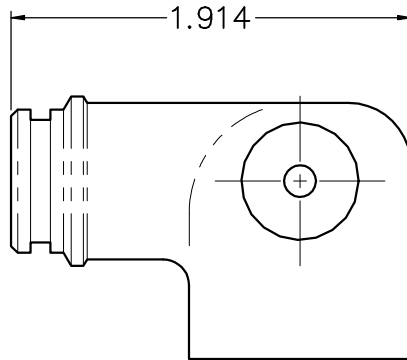



DIMENSIONS ARE SUBJECT TO MANUFACTURERS TOLERANCE AND CHANGE WITHOUT NOTICE. WE CAN ASSUME NO RESPONSIBILITY FOR USE OF SUPERSEDED OR VOID DATA. THIS PRINT IS CONFIDENTIAL AND IS LOANED FOR MUTUAL ASSISTANCE. IT IS NOT TO BE FORWARDED TO OTHER PARTIES NOR REPRINTED IN ANY FORM WITHOUT OUR WRITTEN PERMISSION.



 ACORN ENGINEERING COMPANY P.O. BOX 3527 INDUSTRY, CA. 91744 (626) 336-4561 FAX (626) 961-2200	TITLE				MATERIAL TYPE		
	ELBOW DRILLING PLASTIC AIR-TROL				HALB		
	JOB OR SECTION				DRAWING NUMBER		
AIR-TROL VALVES				2570-001-199			
SCALE	DATE	DRN. BY	ENGINEERING CHANGE NO.	ECO REVISION	REV. DATE	MATERIAL GROUP	
FULL	09-12-00	DMB		B	07/25/02	2550	

TOLERANCES: UNLESS OTHERWISE NOTED, DECIMAL DIMENSIONS .XXX=+/-0.005, .XX=+/-0.015, BREAK ALL SHARP CORNERS, ALL RADII MINIMUM